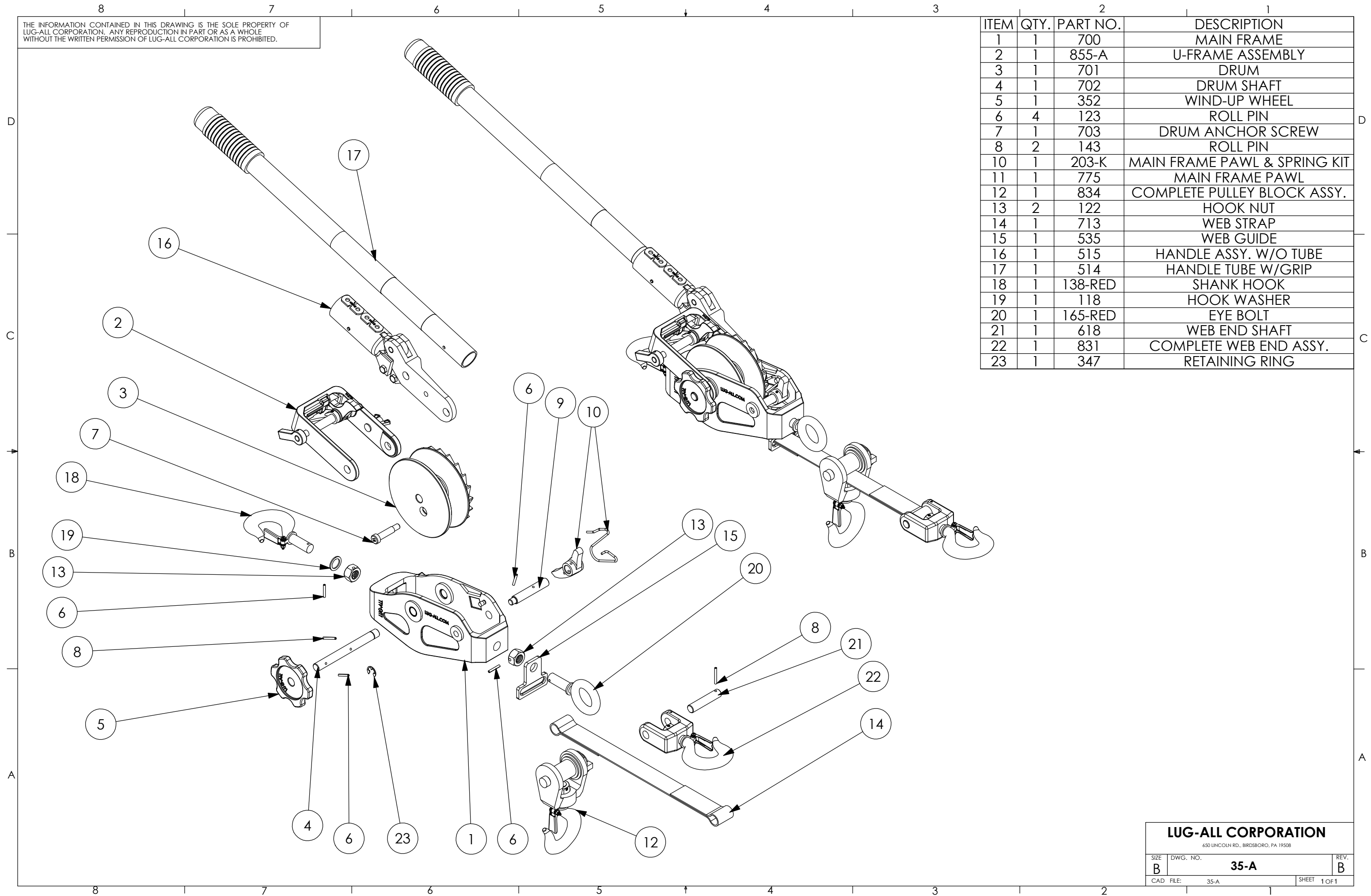


THE INFORMATION CONTAINED IN THIS DRAWING IS THE SOLE PROPERTY OF LUG-ALL CORPORATION. ANY REPRODUCTION IN PART OR AS A WHOLE WITHOUT THE WRITTEN PERMISSION OF LUG-ALL CORPORATION IS PROHIBITED.



ITEM	QTY.	PART NO.	DESCRIPTION
1	1	700	MAIN FRAME
2	1	855-A	U-FRAME ASSEMBLY
3	1	701	DRUM
4	1	702	DRUM SHAFT
5	1	352	WIND-UP WHEEL
6	4	123	ROLL PIN
7	1	703	DRUM ANCHOR SCREW
8	2	143	ROLL PIN
10	1	203-K	MAIN FRAME PAWL & SPRING KIT
11	1	775	MAIN FRAME PAWL
12	1	834	COMPLETE PULLEY BLOCK ASSY.
13	2	122	HOOK NUT
14	1	713	WEB STRAP
15	1	535	WEB GUIDE
16	1	515	HANDLE ASSY. W/O TUBE
17	1	514	HANDLE TUBE W/GRIP
18	1	138-RED	SHANK HOOK
19	1	118	HOOK WASHER
20	1	165-RED	EYE BOLT
21	1	618	WEB END SHAFT
22	1	831	COMPLETE WEB END ASSY.
23	1	347	RETAINING RING

LUG-ALL CORPORATION
650 LINCOLN RD., BIRDSBORO, PA 19508

SIZE B	DWG. NO. 35-A	REV. B
CAD FILE: 35-A		SHEET 1 OF 1