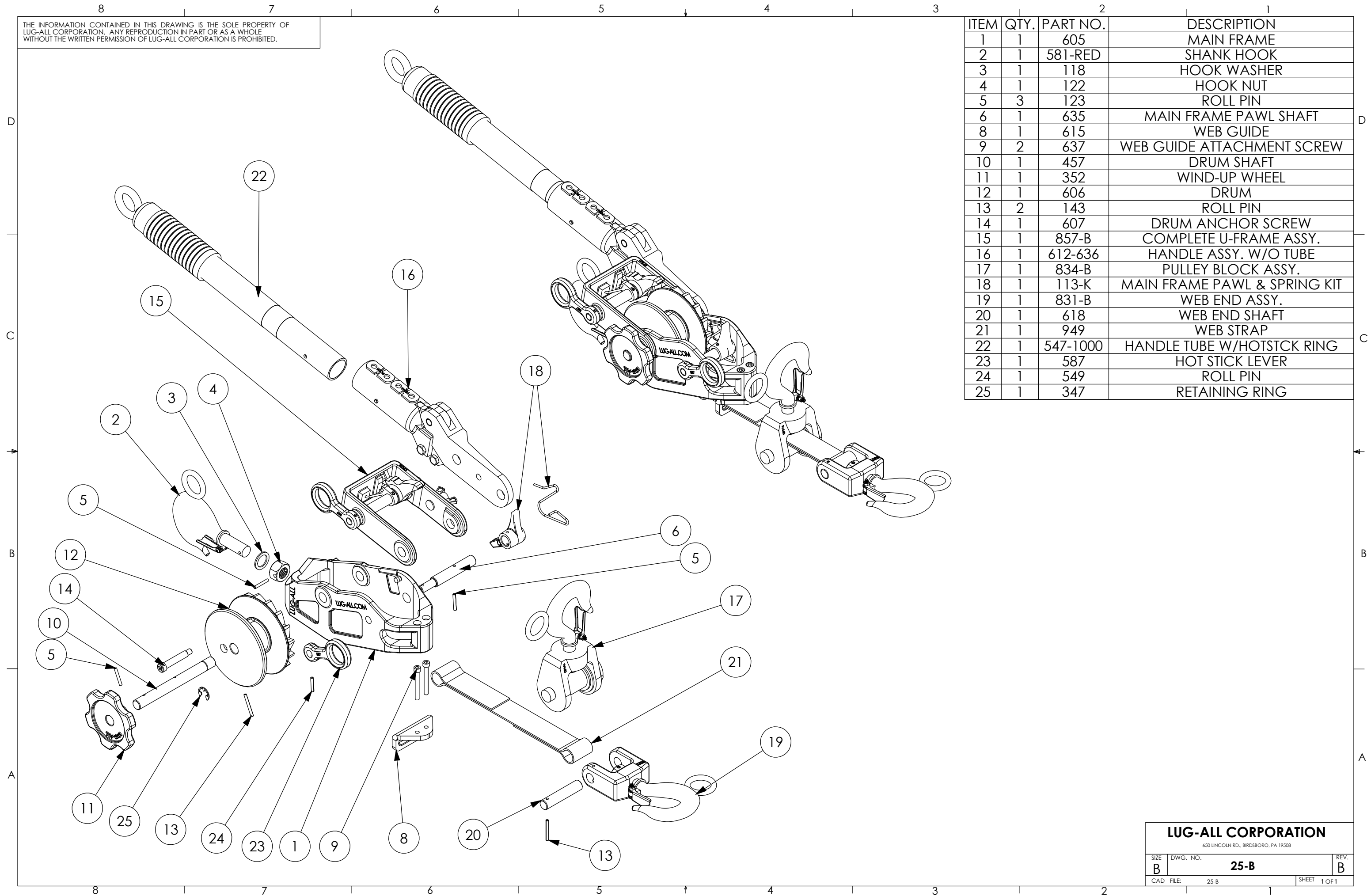


THE INFORMATION CONTAINED IN THIS DRAWING IS THE SOLE PROPERTY OF LUG-ALL CORPORATION. ANY REPRODUCTION IN PART OR AS A WHOLE WITHOUT THE WRITTEN PERMISSION OF LUG-ALL CORPORATION IS PROHIBITED.



ITEM	QTY.	PART NO.	DESCRIPTION
1	1	605	MAIN FRAME
2	1	581-RED	SHANK HOOK
3	1	118	HOOK WASHER
4	1	122	HOOK NUT
5	3	123	ROLL PIN
6	1	635	MAIN FRAME PAWL SHAFT
8	1	615	WEB GUIDE
9	2	637	WEB GUIDE ATTACHMENT SCREW
10	1	457	DRUM SHAFT
11	1	352	WIND-UP WHEEL
12	1	606	DRUM
13	2	143	ROLL PIN
14	1	607	DRUM ANCHOR SCREW
15	1	857-B	COMPLETE U-FRAME ASSY.
16	1	612-636	HANDLE ASSY. W/O TUBE
17	1	834-B	PULLEY BLOCK ASSY.
18	1	113-K	MAIN FRAME PAWL & SPRING KIT
19	1	831-B	WEB END ASSY.
20	1	618	WEB END SHAFT
21	1	949	WEB STRAP
22	1	547-1000	HANDLE TUBE W/HOTSTCK RING
23	1	587	HOT STICK LEVER
24	1	549	ROLL PIN
25	1	347	RETAINING RING

**LUG-ALL CORPORATION**  
650 LINCOLN RD., BIRDSBORO, PA 19508

SIZE <b>B</b>	DWG. NO. <b>25-B</b>	REV. <b>B</b>
CAD FILE: 25-B		SHEET 1 OF 1