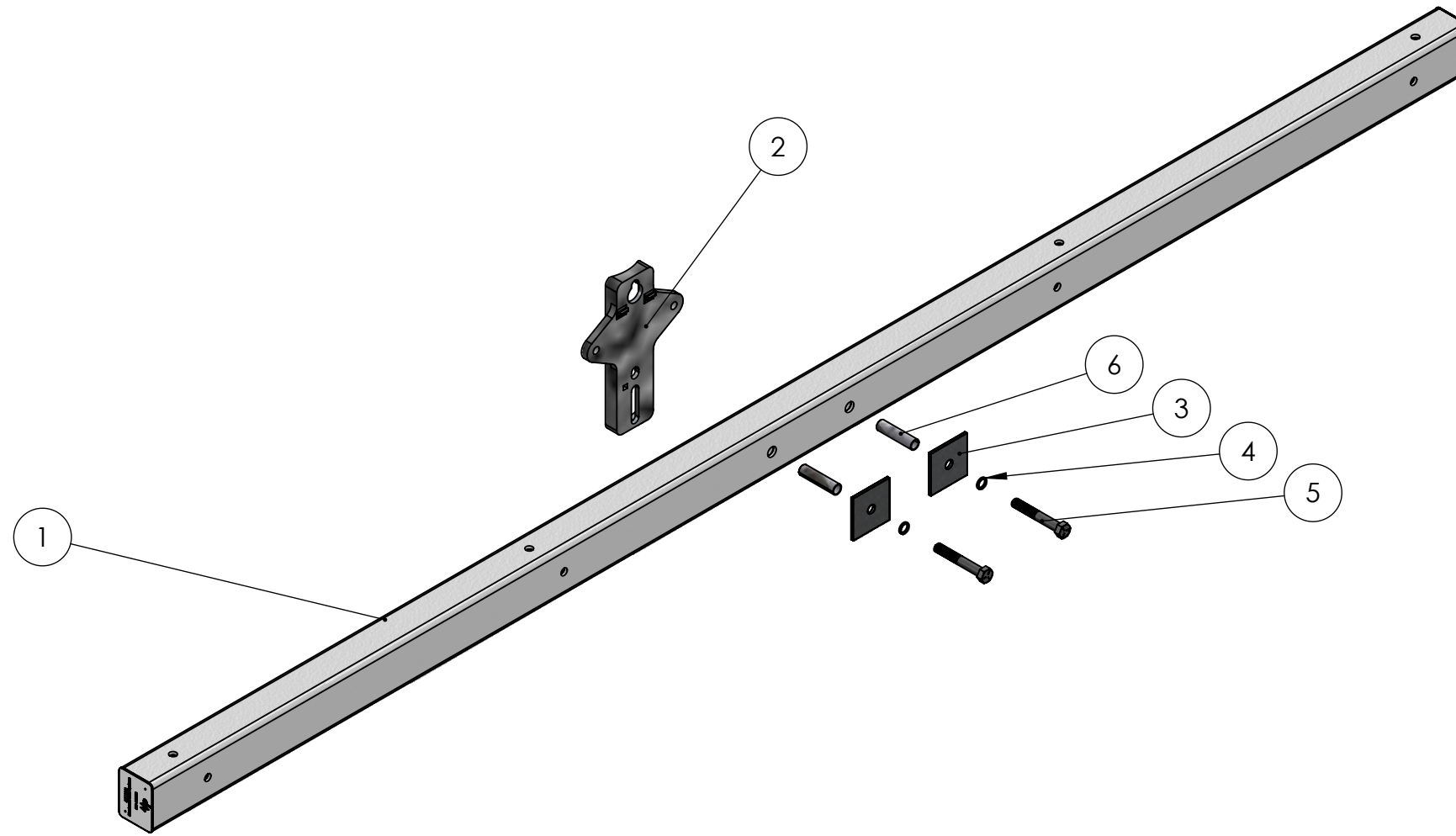



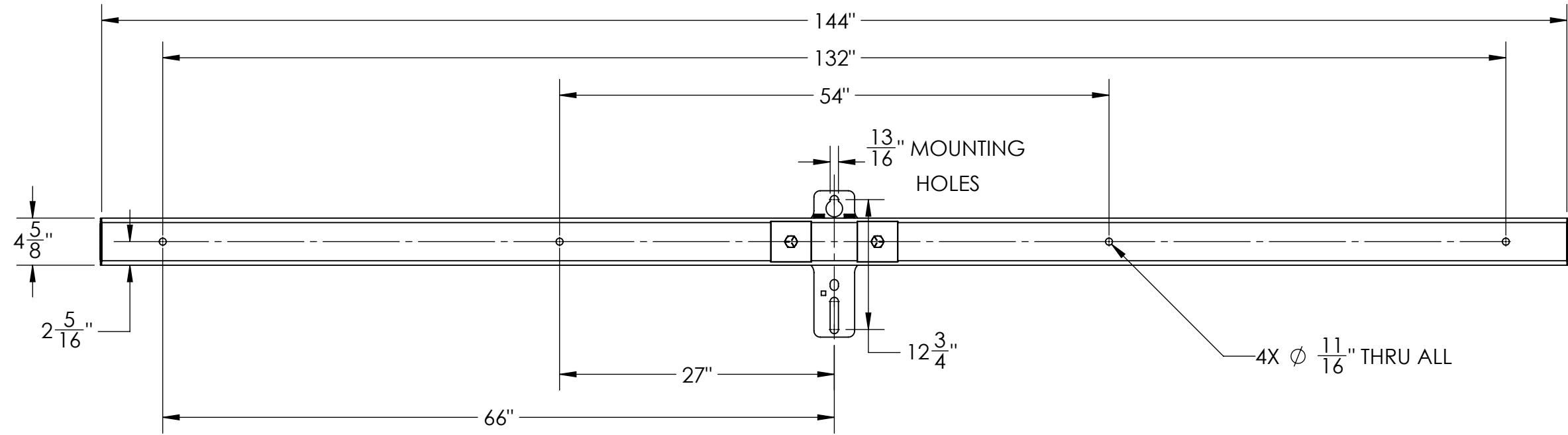
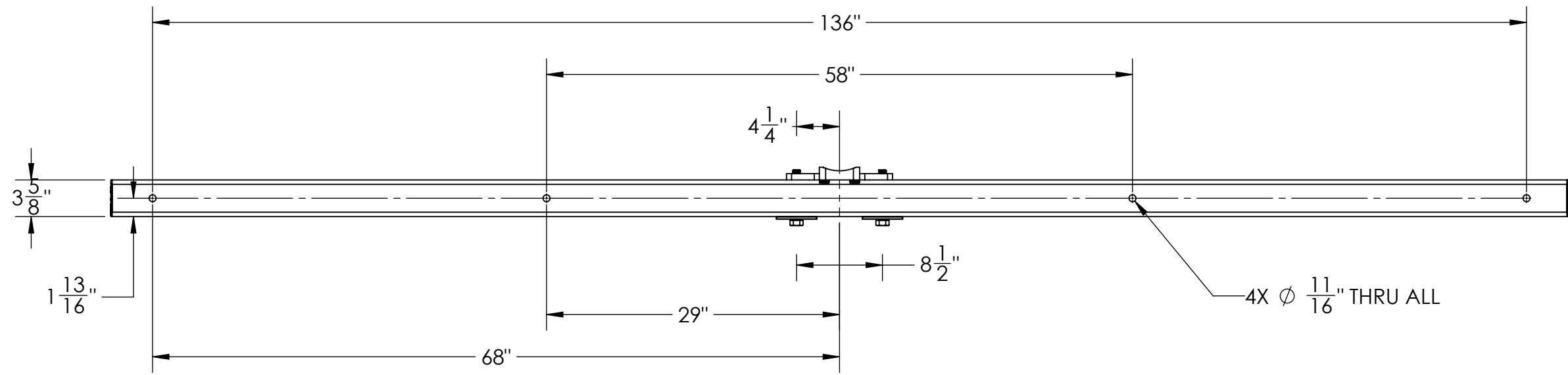
ITEM NO.	PART NUMBER	DESCRIPTION	QTY.
1	PW	PW FOAMED TUBE	1
2	P61342	HEAVY DUTY TANGENT BASE DRILLED & TAPPED	1
3	P68244	4" x 4" SQUARE WASHER W/ ϕ 13/16" HOLE	2
4	F338983	3/4" LOCKWASHER	2
5	P55909	3/4" - 10 x 5" GRADE 5 HEX HEAD BOLT	2
6	P23050	3/4 X 3.75 SLEEVE	2

PAPER SIZE		DRAWING NUMBER	
B		3003-016	
REVISIONS			
REV.	ECO BY	ECO DATE	ECO NUMBER
A	TJK	9/25/13	00519



THIS DRAWING CONTAINS CONFIDENTIAL INFORMATION THAT IS THE PROPERTY OF MACLEAN POWER, L.L.C. ("MACLEAN"). USE OF MACLEAN'S CONFIDENTIAL INFORMATION WITHOUT MACLEAN'S EXPRESS WRITTEN CONSENT IS STRICTLY PROHIBITED AND MAY EXPOSE YOU TO LEGAL LIABILITY. IF YOU BELIEVE THAT YOU RECEIVED THIS MATERIAL IN ERROR, PLEASE DESTROY IT OR RETURN IT TO "MACLEAN POWER, L.L.C., 7801 PARK PLACE RD., YORK, SOUTH CAROLINA 29745, USA."

CATALOG NUMBER: PW12ST349	CUSTOMER NUMBER: N/A	PART NUMBER: F490210	DRAWING NUMBER: 3003-016	DO NOT SCALE DRAWING
PHYSICAL PROPERTIES			SHEET: 1 OF 2	CAD GENERATED DRAWING DO NOT MANUALLY UPDATE
UNLESS OTHERWISE SPECIFIED DIMENSIONS ARE IN: INCHES			DRAWING DESCRIPTION: PW TANGENT CROSSARM	DESIGN DATE: 8/10/07
MATERIAL:	FIBERGLASS	TOLERANCES ARE:	DRAWN BY: TJK	
APPROX. WEIGHT :	66 LBS	.XX +/- .03	ENGINEER: tkrohn	
VOLUME:	IN3	.XXX +/- .015	APPROVED: 09/30/13	
X/XX +/- 1/32			PRODUCT LINE: CROSSARMS	
ANGLES +/- 1°			SCALE: 1:12.5	
 7801 PARK PLACE RD. YORK, SC. 29745 TEL. (803) 628-2100 FAX: (803) 628-2139				



THIS DRAWING CONTAINS CONFIDENTIAL INFORMATION THAT IS THE PROPERTY OF MACLEAN POWER, L.L.C. ("MACLEAN"). USE OF MACLEAN'S CONFIDENTIAL INFORMATION WITHOUT MACLEAN'S EXPRESS WRITTEN CONSENT IS STRICTLY PROHIBITED AND MAY EXPOSE YOU TO LEGAL LIABILITY. IF YOU BELIEVE THAT YOU RECEIVED THIS MATERIAL IN ERROR, PLEASE DESTROY IT OR RETURN IT TO "MACLEAN POWER, L.L.C., 7801 PARK PLACE RD., YORK, SOUTH CAROLINA 29745, USA."

CATALOG NUMBER: PW12ST349	CUSTOMER NUMBER: N/A	PART NUMBER: F490210	DRAWING NUMBER: 3003-016	DO NOT SCALE DRAWING
PHYSICAL PROPERTIES UNLESS OTHERWISE SPECIFIED DIMENSIONS ARE IN: INCHES			SHEET: 2 OF 2	CAD GENERATED DRAWING DO NOT MANUALLY UPDATE
			DRAWING DESCRIPTION: PW TANGENT CROSSARM	
MATERIAL: FIBERGLASS	TOLERANCES ARE:	DRAWING DESCRIPTION: PW TANGENT CROSSARM		DRAWN BY: TJK
APPROX. WEIGHT : 66 LBS	.XX +/- .03	PRODUCT LINE: CROSSARMS		ENGINEER: tkrohn
VOLUME: IN3	.XXX +/- .015	SCALE: 1:12.5		APPROVED: 09/30/13
	X/XX +/- 1/32	TEL. (803) 628-2100 FAX: (803) 628-2139		
	ANGLES +/- 1°			



7801 PARK PLACE RD.
YORK, SC. 29745
TEL. (803) 628-2100 FAX: (803) 628-2139