

# BUCKINGHAM MFG.

## CUSHION WRAP PADS

Buckingham Cushion Wrap Pads are manufactured in various configurations including straight or angled tunnels (Fig. 1), 3" or 4" pad widths, Cinch Style Pads (pads with a steel loop) or Wrap style pads (without a steel loop).

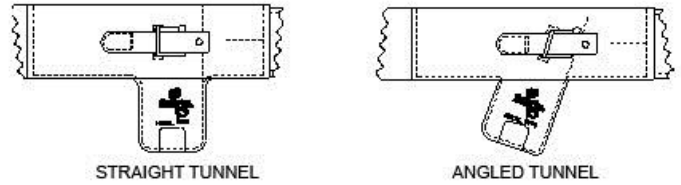
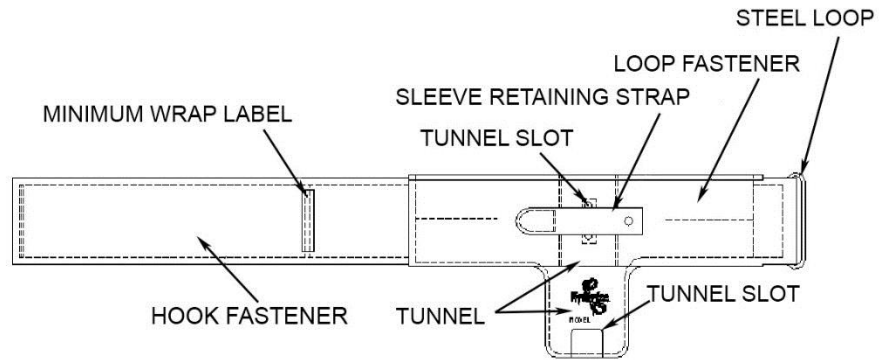
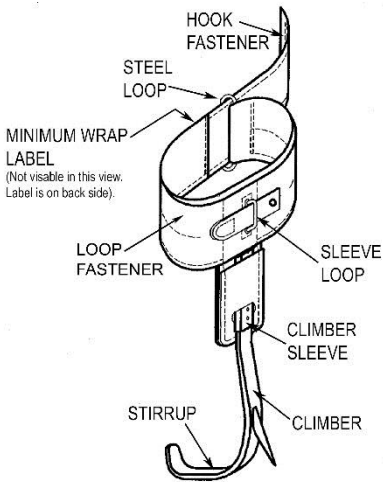


Fig. 1

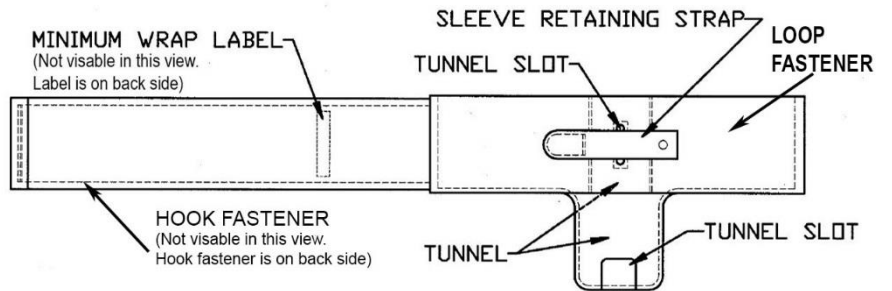
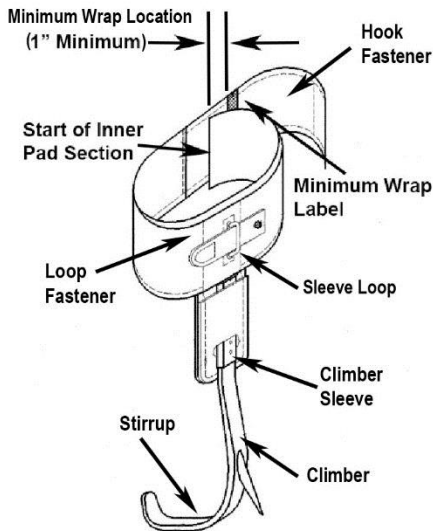
### CINCH STYLE PADS (Pads with steel loop)

**MODEL NUMBERS: 3500C, 3500CS, 3502C, 3502CKL, 35021C, 3503C & 3504C**



### WRAP STYLE PADS (Pads without steel loop)

**MODEL NUMBERS: 3500, 3502, 3502KL, 35021, 3503 & 3504**



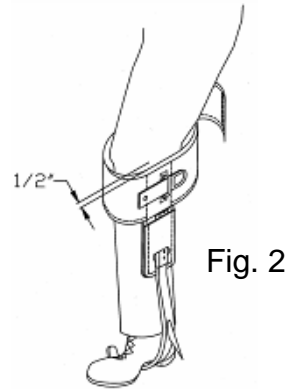
OVER

## Assembling pad to climber

1. Squeeze the pad so the tunnel protrudes outward, away from the pad.
2. Push the sleeve (attached to climber) from the bottom upward until the sleeve loop is exposed in the tunnel slot.
3. To ease weaving the sleeve retaining strap under the sleeve loop, first slide a piece of paper through the sleeve loop. Then slide the sleeve retaining strap under the sleeve loop. The paper will prevent the hook fastener on the strap from catching on the loop fastener of the pad. Pull paper and sleeve retaining strap through the sleeve loop together.
4. Remove the paper, attach the hook and loop fastener strap to the pad and you are now ready to attach pad to leg.

## Attaching Cinch Style Pad to leg.

1. Place foot on the stirrup of the climber. The padded, leather portion of the pad should be toward the inside of the leg.
2. Adjust the length of the climber using the adjustable climber sleeve so that the top of pad is 1/2" below the projecting knee bone (Fig. 2).
3. To secure the pad to the leg, begin by threading the free end of the pad through the steel loop (Fig. 3).



4. Continue to pull the end of the pad through the steel loop until the pad is snug to the leg. *Always* ensure that the MINIMUM WRAP LABEL has been pulled completely through the steel loop (Fig. 4 and Fig. 5). Wrap the free end around the pad, adhering the hook fastener to the loop fastener on the body of the pad (Fig. 5). This ensures a proper wrap. Failure to do so may cause release, resulting in serious injury or death.

Note: Do not use product if the minimum wrap label does not properly protrude through the steel loop as instructed above. Contact Buckingham Mfg. for alternate option.

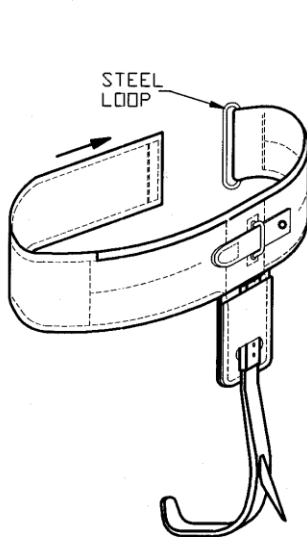


Fig. 3

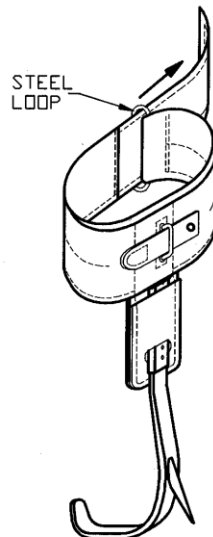


Fig. 4

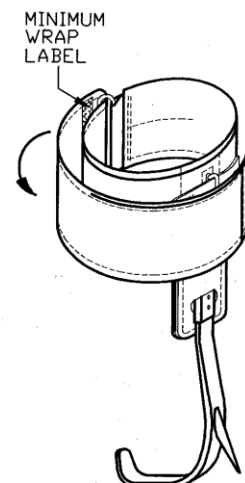


Fig. 5

## Attaching Wrap Style Pad (without steel loop) to leg.

1. Place foot on the stirrup of the climber. The padded, leather portion of the pad should be toward the inside of the leg.
2. Adjust the length of the climber using the adjustable climber sleeve so that the top of pad is 1/2" below the projecting knee bone (Fig. 6).
3. Wrap the pad (hook fastener portion) around the leg ensuring the MINIMUM WRAP LABEL is located at least 1" past the start of the inner pad section or beyond (Fig. 7) and adhere to the loop fastener portion. This ensures a proper wrap. Failure to do so may cause release, resulting in serious injury or death.

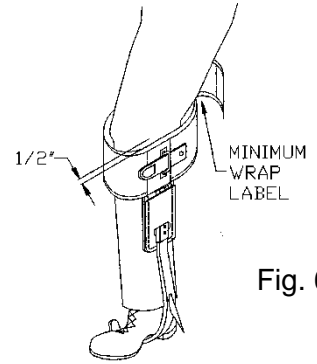


Fig. 6

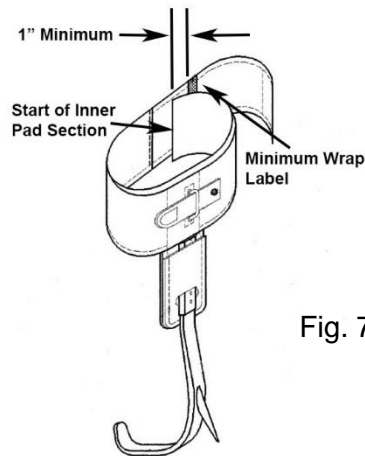


Fig. 7

Note: Do not use product if the minimum wrap label cannot be pulled at least 1" past the start of the inner pad section. Contact Buckingham Mfg. for alternate option.

## Cleaning

Proper maintenance and storage of your equipment will prolong its useful life and contribute toward its performance.

Nylon should be cleaned with mild soap and water and be allowed to air dry thoroughly without using excessive heat. Do not use any type of corrosive substance or acid, which will gradually eat away the fabric.

Clean hook & loop fasteners with a soft bristle brush.

Clean leather by removing surface dirt with a clean cloth dampened (not wet) with water and allow to air dry.

**BUCKINGHAM MFG. CO., INC.**  
BINGHAMTON, NY  
1-800-937-2825  
Fax 607-773-2425  
e-mail - sales@buckinghammfg.com