



# American Earth Anchors

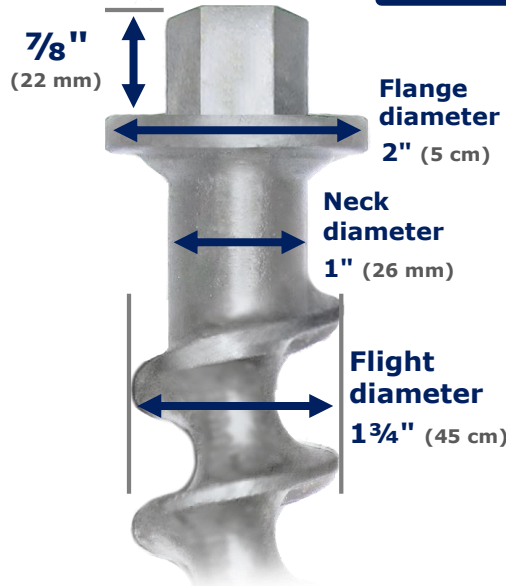
The best screw you will have in the dirt™

QUICK REFERENCE

## PE10 | Specifications

### 10" Penetrator™

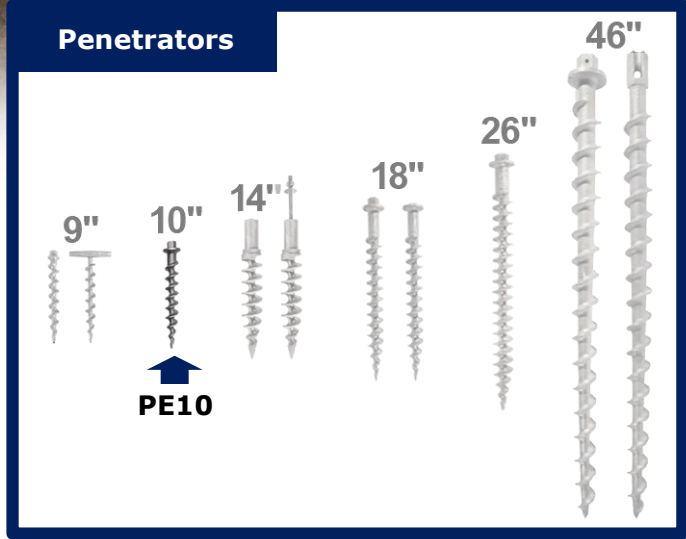
- Aircraft-quality cast aluminum 356 alloy
- Heat-treated to T6 specification
- Install with 1" or 26 mm socket
- Removable



Socket size  
1" (26 mm)



6-point socket (instead of 12-point socket) will minimize wear and rounding of hex head for repeated installation/removal



### LOAD CAPACITY

Pullout strength with flight fully embedded

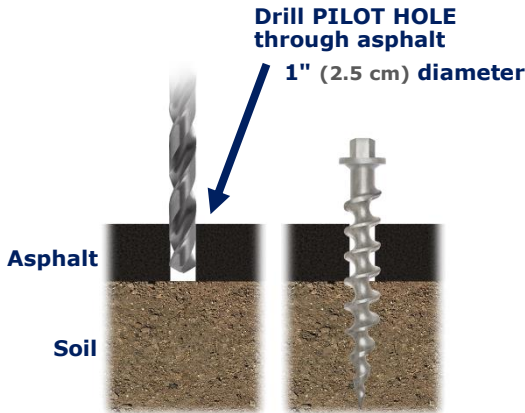


	Soil Class 1 Dense sand or gravel	Soil Class 2 Medium sandy gravel	Soil Class 3 Loose medium-to-fine sand	Soil Class 4 Loose fine un-compacted sand
<b>1,000 lb</b> 4.45 kN	<b>700 lb</b> 3.11 kN	<b>350 lb</b> 1.56 kN	<b>200 lb</b> 0.89 kN	<b>100 lb</b> 0.44 kN

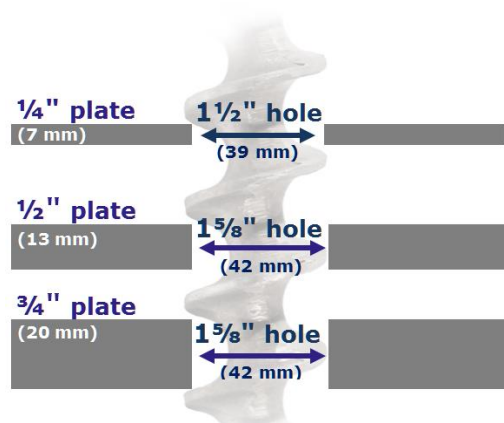


**PE10 | Installation**

**Through asphalt**



**Through metal plate**



**Installation methods**



**Impact wrench**



**Attachment accessories**

*Contact us for custom bracket/sleeve sizes and designs*

